

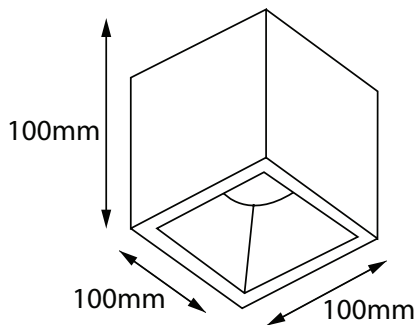
SM100100



The lamp housing is made from aluminum, frame form die-casting paint sprayed.
 Light Source/ Fuente de Luz COB Cree, Citizen, Bridgelux
 Power/Potencia 18W ~1160lm
 CRI/IRC >80 (90,95 and/y 97 as an option/ opcional)
 CCT/Temperatura color 2700K, 3000K, 4000K, 5000K
 Beam angle/Angulo apertura 40°
 OPTIONS/OPCIONES
 *triac dimmable, 0/1-10V, DALI

Applications/Aplicaciones: Hotel, Apartments, Villas, Residences, Restaurants, Cafe, Home, ...

SM100100



CUBE SERIES