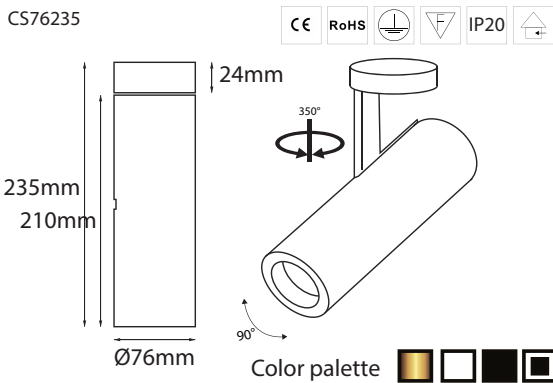


CS63205

Input Voltage AC220-240V, Multivoltage
 Light Power 10W
 Luminous flux ~725lm
 Light Source CREE COB
 CCT 2700K, 3000K, 4000K, 5000K
 CRI 80 as standard, CRI90, CRI97
 Beam Angle 18°, 24°, 38°, 60°
 Output DC36V 300mA



CS76235

Input Voltage AC220-240V, Multivoltage
 Light Power 16W
 Luminous flux ~1140lm
 Light Source CREE COB
 CCT 2700K, 3000K, 4000K, 5000K
 CRI 80 as standard, CRI90, CRI97
 Beam Angle 18°, 24°, 38°
 Output DC36V 450mA

CS90265

Input Voltage AC220-240V, Multivoltage
 Light Power 25W
 Luminous flux ~1800lm
 Light Source CREE COB
 CCT 2700K, 3000K, 4000K, 5000K
 CRI 80 as standard, CRI90, CRI97
 Beam Angle 18°, 24°, 38°
 Output DC36V 700mA

