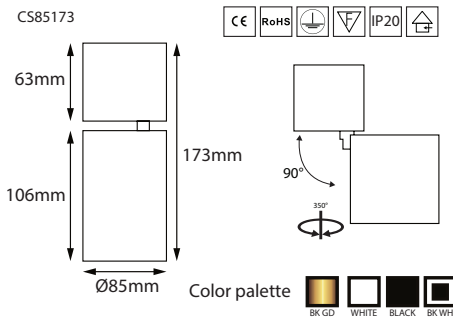
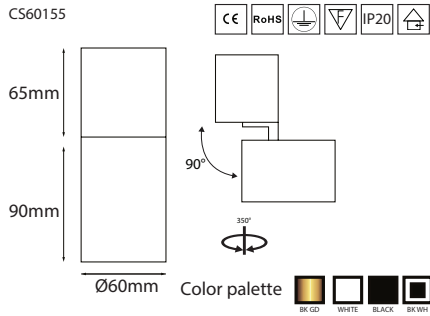


CS60155

Input Voltage AC220-240V, Multivoltage
 Light Power 10W
 Luminous flux ~900lm
 Light Source CREE COB
 CCT 2700K, 3000K, 4000K, 5000K
 CRI 80 as standard, CRI90, CRI97
 Beam Angle 18°, 24°, 38°, 60°
 Output DC36V 300mA



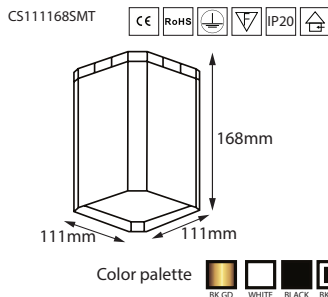
HOT SERIES



CS85173

Input Voltage AC220-240V, Multivoltage
 Light Power 21W
 Luminous flux ~1900lm
 Light Source CREE COB
 CCT 2700K, 3000K, 4000K, 5000K
 CRI 80 as standard, CRI90, CRI97
 Beam Angle 15°, 30°, 40°
 Output DC36V 600mA

PILL SERIES



CS111168SMT

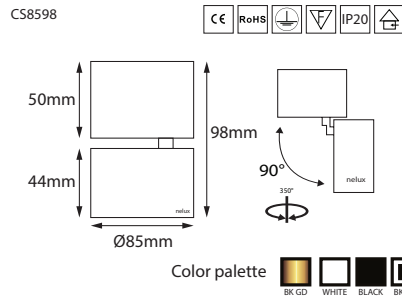
Input Voltage AC220-240V, Multivoltage
 Light Power 11W
 Luminous flux ~840lm
 Light Source SMT led osram
 CCT 2700K, 3000K, 4000K, 5000K, 6500K
 CRI 80
 Beam Angle 90°
 Output DC36V 300mA



BALI SERIES

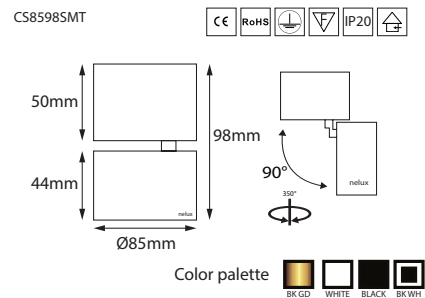
CS8598

Input Voltage AC220-240V, Multivoltage
 Light Power 11W
 Luminous flux ~840lm
 Light Source CREE COB
 CCT 2700K, 3000K, 4000K, 5000K
 CRI 80 as standard, CRI90, CRI97
 Beam Angle 15°, 24°, 40°
 Output DC36V 300mA

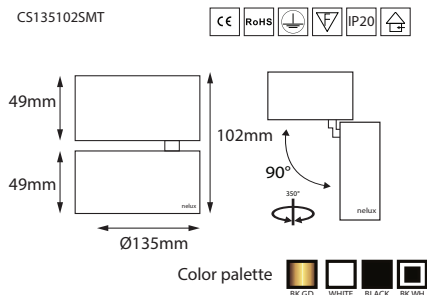


CS8598SMT

Input Voltage AC220-240V, Multivoltage
 Light Power 6W
 Luminous flux ~560lm
 Light Source SMT led edison
 CCT 2700K, 3000K, 4000K, 5000K, 6500K
 CRI 80
 Beam Angle 90°
 Output DC21V 300mA



CS135102SMT



CS135102SMT

Input Voltage AC220-240V, Multivoltage
 Light Power 16W
 Luminous flux ~1500lm
 Light Source SMT led edison
 CCT 2700K, 3000K, 4000K, 5000K, 6500K
 CRI 80
 Beam Angle 90°
 Output DC36V 450mA